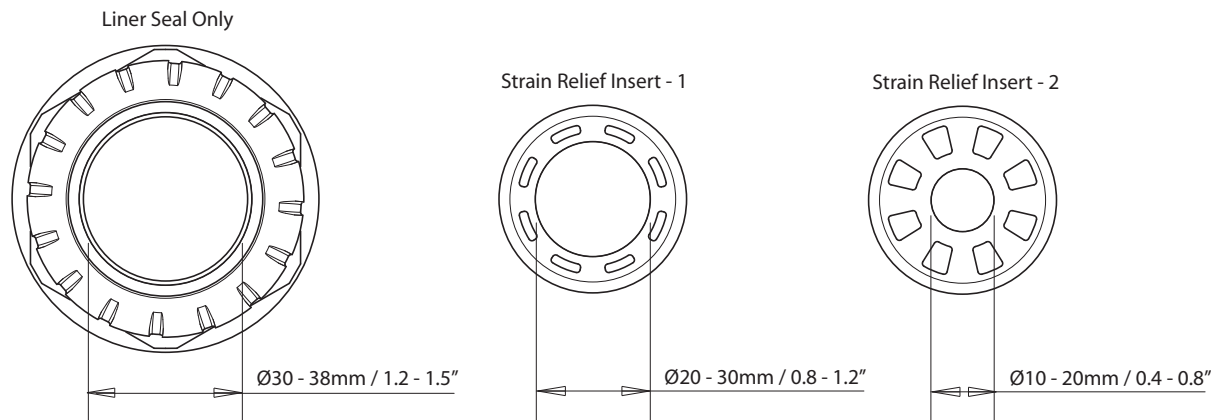
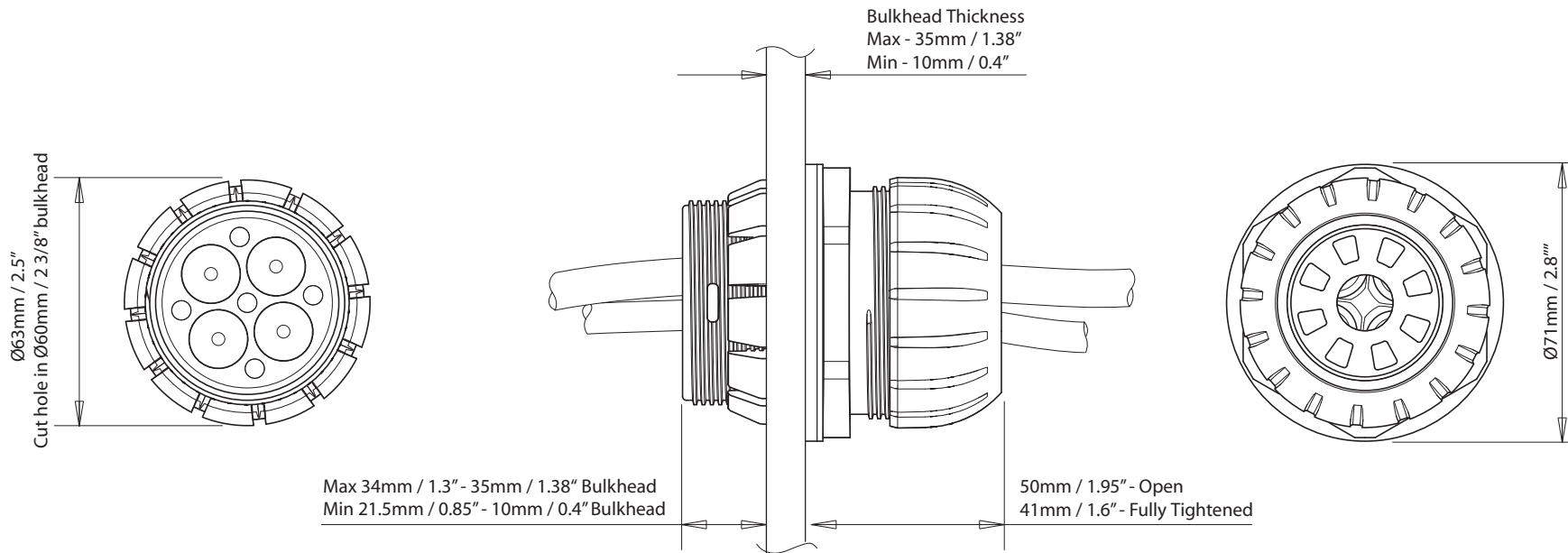


# Through Bulkhead Cable Seal - TBH-4 & TBH-10

For help & information  
 email: [technical@scanstrut.com](mailto:technical@scanstrut.com)  
 tel: +44 (0) 1803 863800



- Dimensions shown represent compression range. Use this as a guide and select best fit for cable loom diameter.

**TBH-4**  
 Up to 4 x cables  $\text{Ø} 7\text{mm} (0.28'' ) - \text{Ø} 15\text{mm} (0.6'' )$

**TBH-10**  
 Up to 10 x cables  $\text{Ø} 5\text{mm} (0.2'' ) - \text{Ø} 7\text{mm} (0.28'' )$

